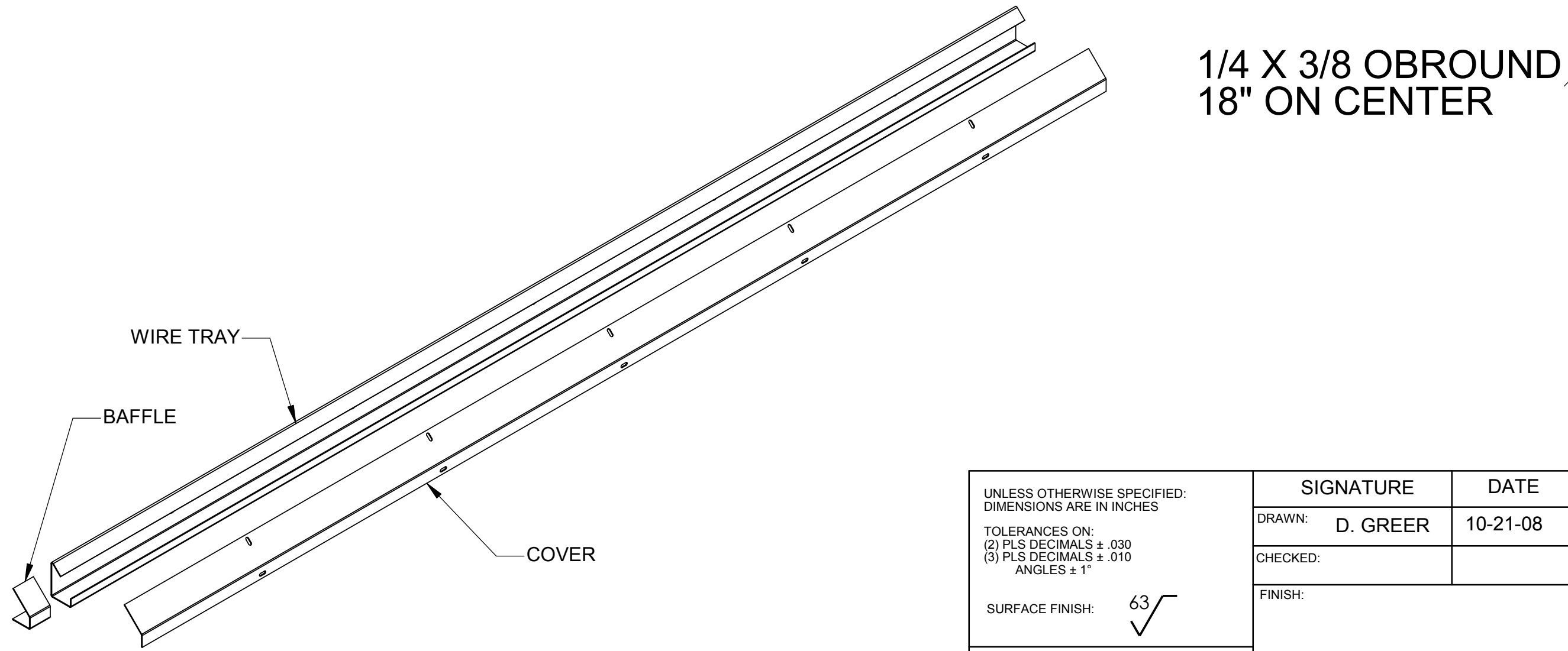
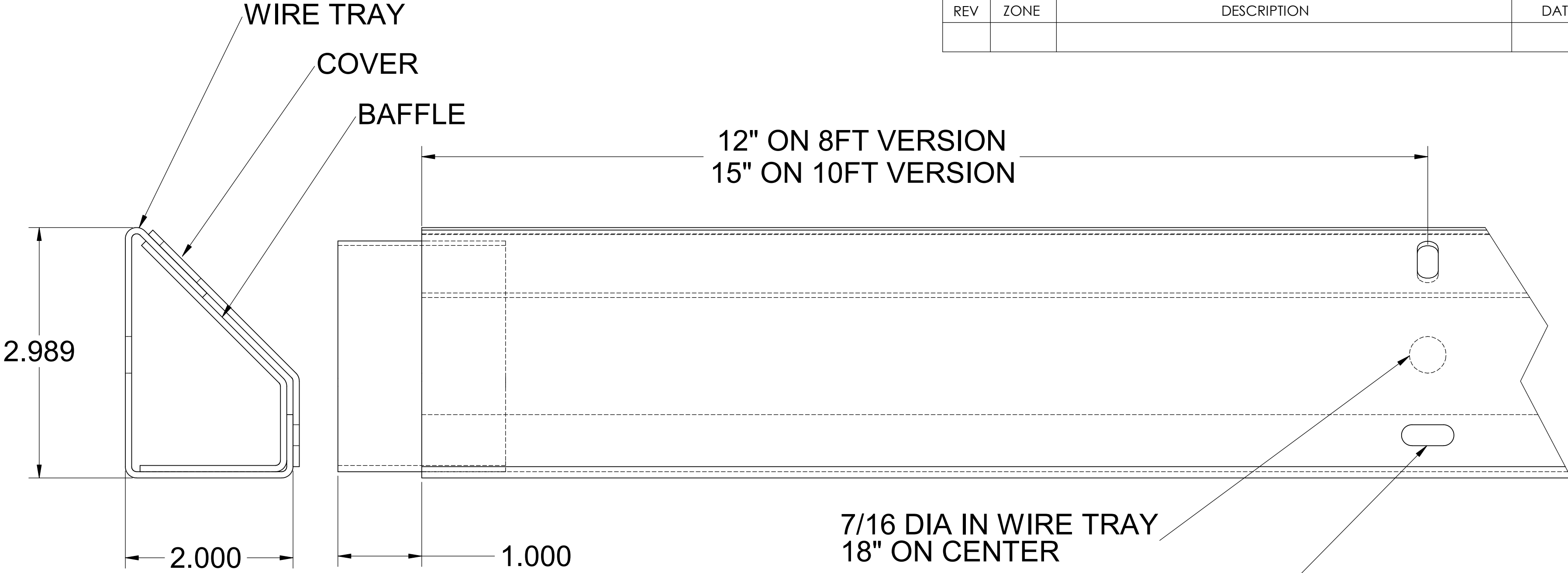


REVISIONS			
REV	ZONE	DESCRIPTION	DATE



UNLESS OTHERWISE SPECIFIED:
DIMENSIONS ARE IN INCHES

TOLERANCES ON:
(2) PLS DECIMALS ± .030
(3) PLS DECIMALS ± .010
ANGLES ± 1°

SURFACE FINISH: 63 ✓

MATERIAL:

DO NOT SCALE DRAWING

SIGNATURE	DATE
DRAWN: D. GREER	10-21-08
CHECKED:	
FINISH:	

TRI-STAR 16433 S. Windy City Rd, Mulino, Oregon, 97042
DETENTION, INC. PH: (503) 632-3450
FAX: (503) 632-4299

TITLE:
WIRE TRAY ASSEMBLY

C DWG. NO.

SCALE: 1:1 SHEET 1 OF 1