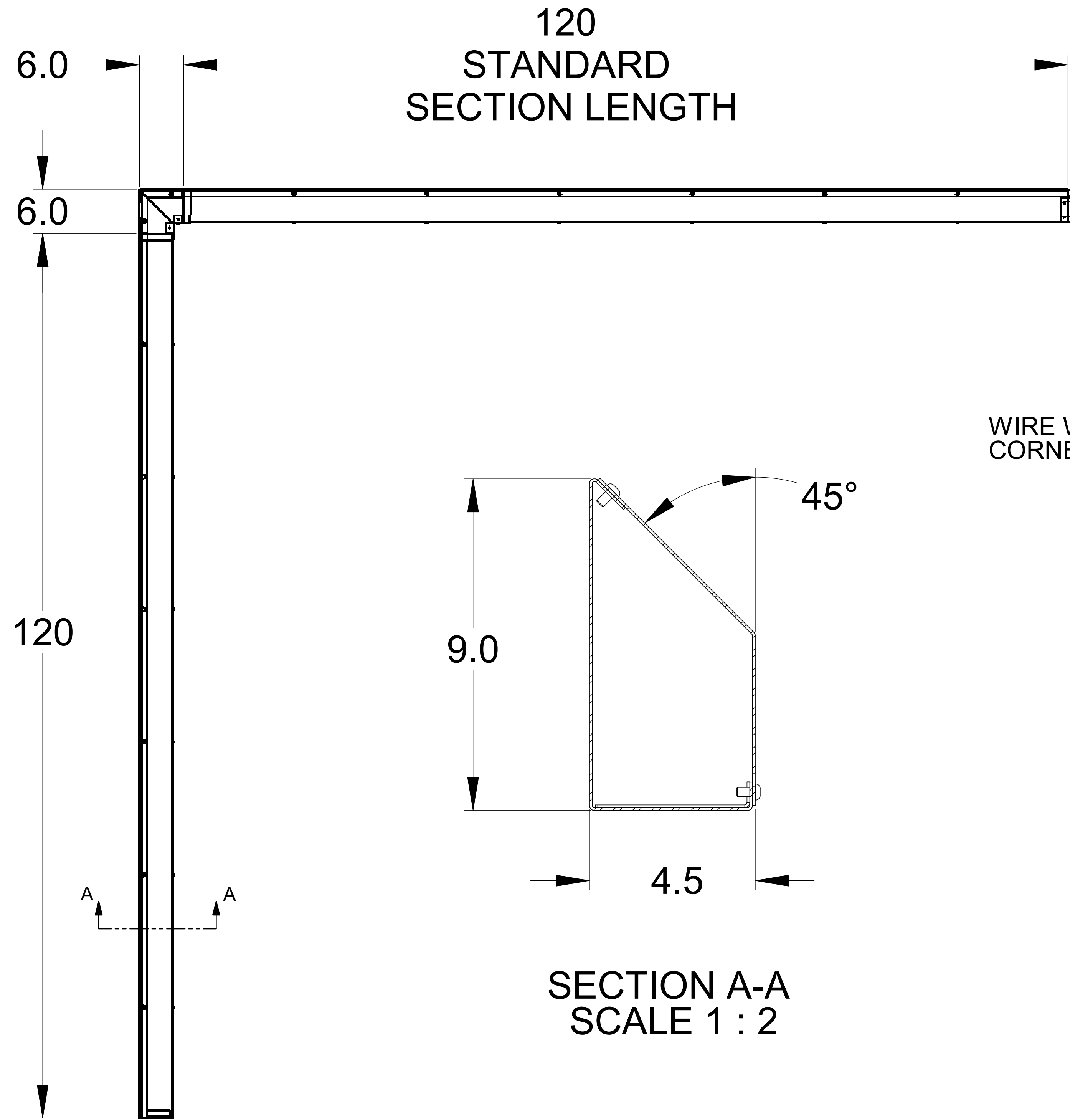
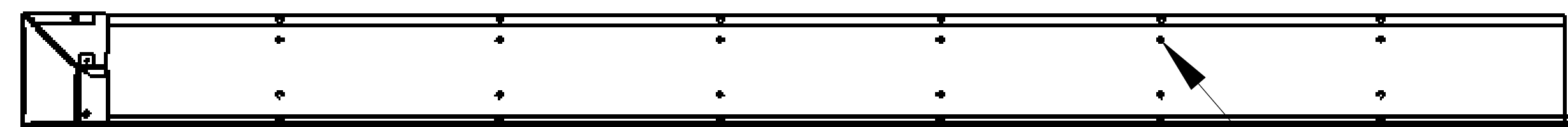
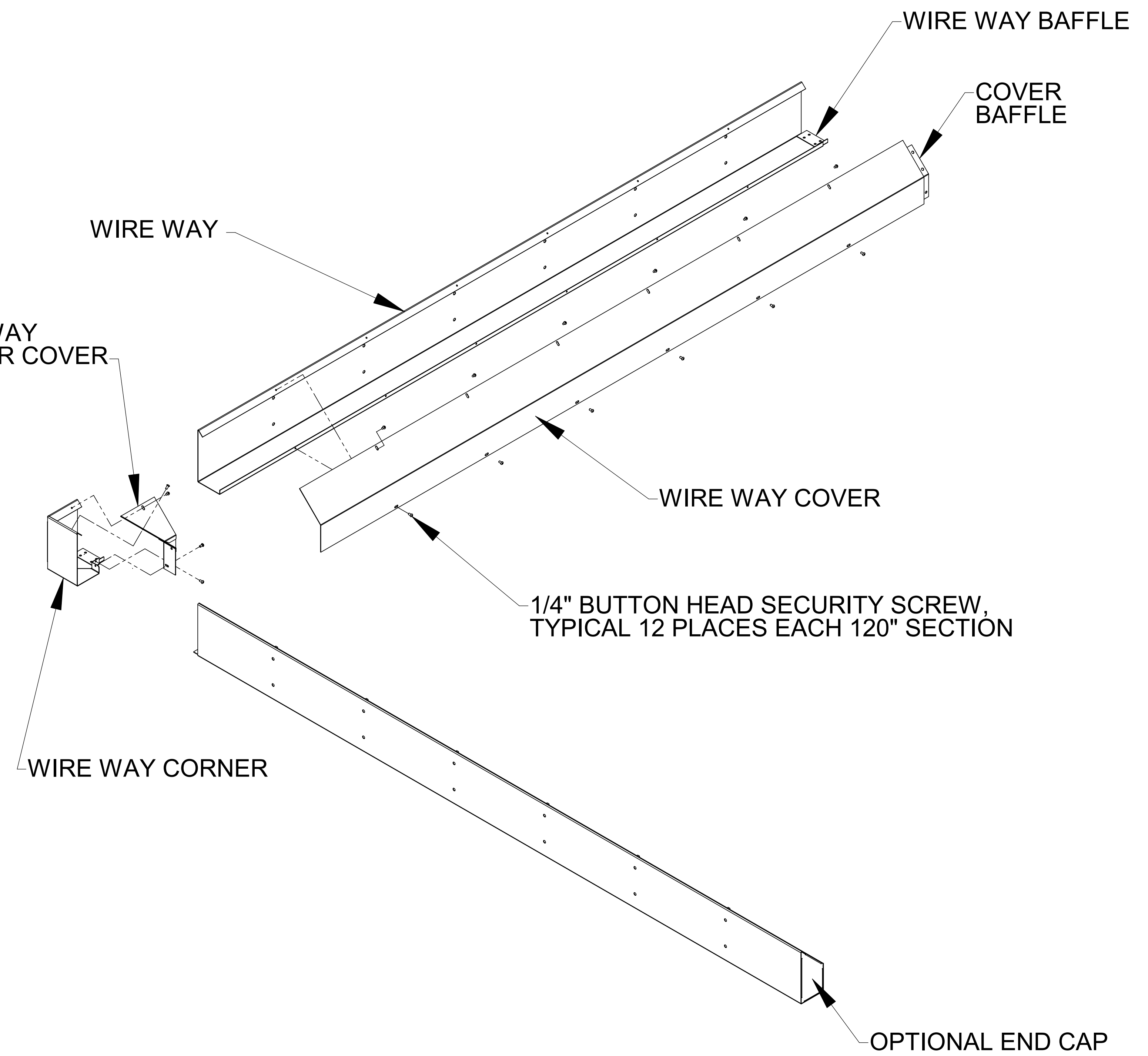


REVISIONS			
REV	ZONE	DESCRIPTION	DATE



SECTION A-A  
SCALE 1 : 2



COVER REMOVED

12X  $\phi$  .44 THRU  
MOUNTING HOLES  
IN EACH 120" SECTION

UNLESS OTHERWISE SPECIFIED:  
DIMENSIONS ARE IN INCHES

TOLERANCES ON:  
(2) PLS DECIMALS ± .030  
(3) PLS DECIMALS ± .010  
ANGLES ± 1°

SURFACE FINISH: 63 ✓

MATERIAL: STEEL

DO NOT SCALE DRAWING

SIGNATURE	DATE
DRAWN: D. GREER	10-21-08
CHECKED:	
FINISH:	
PRIME PAINT	

<b>TRI-STAR</b> 16433 S. Windy City Rd., Mulino, Oregon, 97042 DETENTION, INC. PH: (503) 632-3450 FAX: (503) 632-4299	
TITLE: WIRE TRAY ASSEMBLY 4.5 x 9	
C	DWG. NO.
SCALE: 1:10	SHEET 1 OF 1